

FITTING SHOP

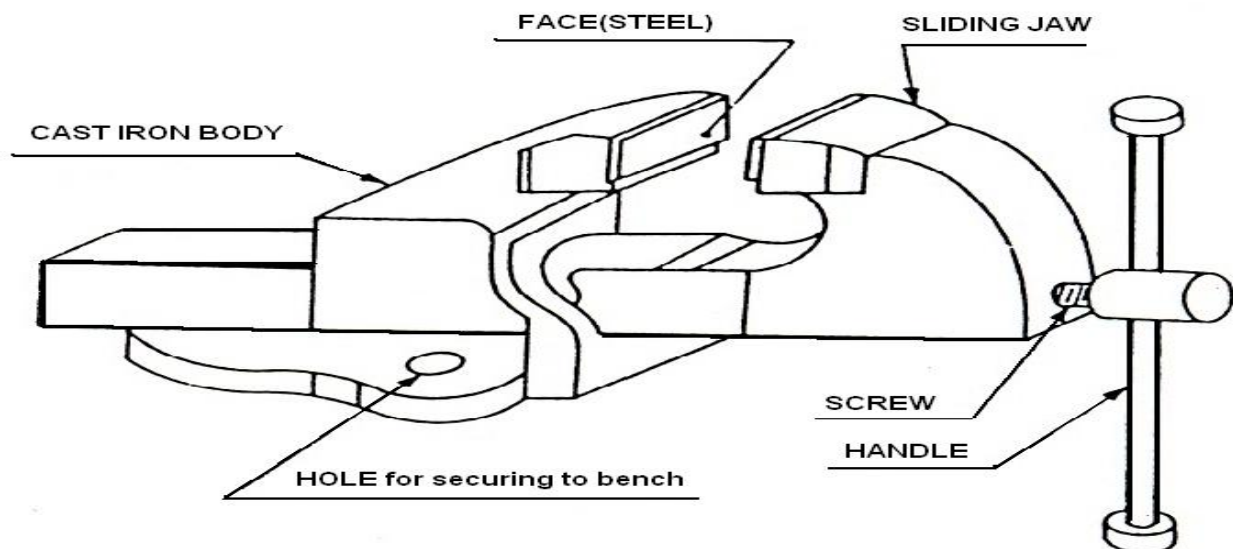
INTRODUCTION

Machine tools are capable of producing work at a faster rate, but, there are occasions when components are processed at the bench. Sometimes, it becomes necessary to replace or repair component which must be fit accurately with another component on reassembly. This involves a certain amount of hand fitting. The assembly of machine tools, jigs, gauges, etc, involves certain amount of bench work. The accuracy of work done depends upon the experience and skill of the fitter. The term 'bench work' refers to the production of components by hand on the bench, where as fitting deals with the assembly of mating parts, through removal of metal, to obtain the required fit. Both the bench work and fitting requires the use of number of simple hand tools and considerable manual efforts. The operations in the above works consist of filing, chipping, scraping, sawing drilling, and tapping.

HOLDING TOOLS

1 Bench vice

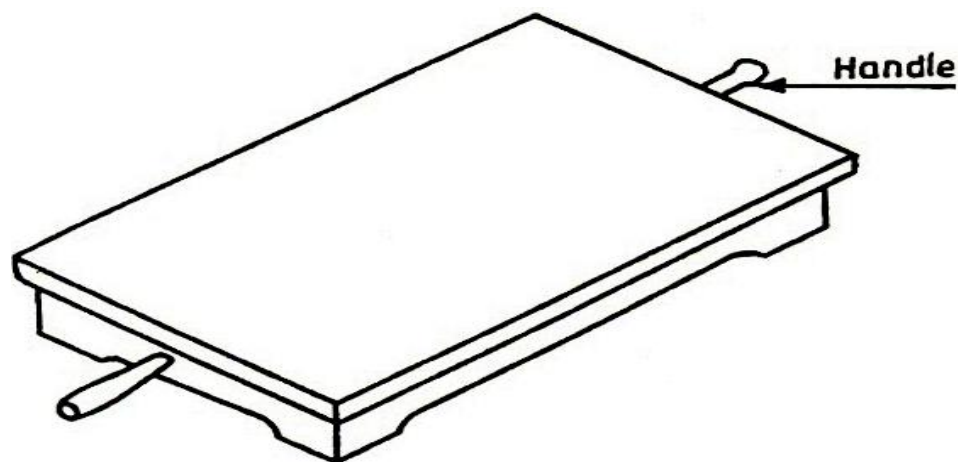
The bench vice is a work holding device. It is the most commonly used vice in a fitting shop. The bench vice is shown in Figure 1.1. It is fixed to the bench with bolts and nuts. The vice body consists of two main parts, fixed jaw and movable jaw. When the vice handle is turned in a clockwise direction, the sliding jaw forces the work against the fixed jaw. Jaw plates are made of hardened steel. Serrations on the jaws ensure a good grip. Jaw caps made of soft material are used to protect finished surfaces, gripped in the vice. The size of the vice is specified by the length of the jaws. The vice body is made of cast Iron which is strong in compression, weak in tension and so fractures under shocks and therefore should never be hammered.



MARKING AND MEASURING TOOLS

1 Surface plate

The surface plate is machined to fine limits and is used for testing the flatness of the work piece. It is also used for marking out small box and is more precious than the marking table. The degree of the finished depends upon whether it is designed for bench work in a fitting shop or for using in an inspection room; the surface plate is made of Cast Iron, hardened Steel or Granite stone. It is specified by length, width, height and grade. Handles are provided on two opposite sides, to carry it while shifting from one place to another.

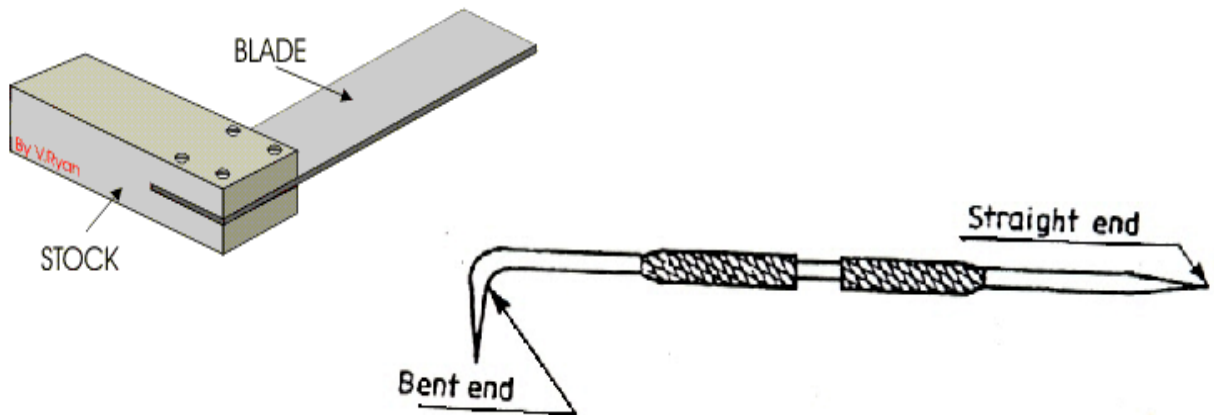


2 Try square

It is measuring and marking tool for 90° angle. In practice, it is used for checking the squareness of many types of small works when extreme accuracy is not required. The blade of the Try square is made of hardened steel and the stock of cast iron or steel. The size of the Try square is specified by the length of the blade.

3 Scriber

A Scriber is a slender steel tool, used to scribe or mark lines on metal work pieces. It is made of hardened and tempered High Carbon Steel. The Tip of the scriber is generally ground at 12° to 15°. It is generally available in lengths, ranging from 125mm to 250mm. It has two pointed ends the bent end is used for marking lines where the straight end cannot reach.

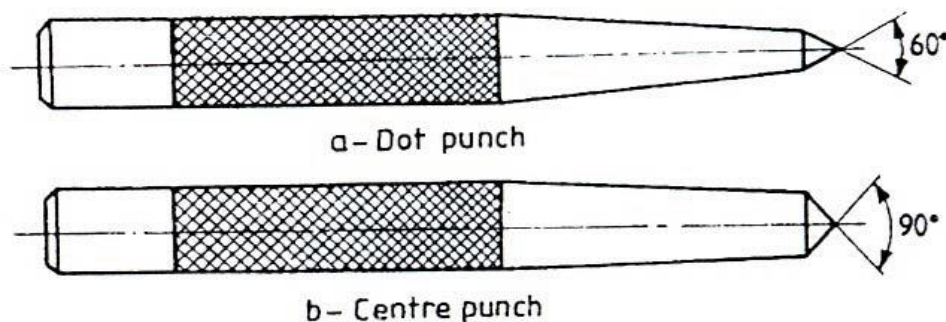


4 Punches

These are used for making indentations on the scribed lines, to make them visible clearly. These are made of high carbon steel. A punch is specified by its length and diameter (say as 150' 12.5mm). It consists of a cylindrical knurled body, which is plain for some length at the top of it. At the other end, it is ground to a point. The tapered point of the punch is hardened over a length of 20 to 30mm.

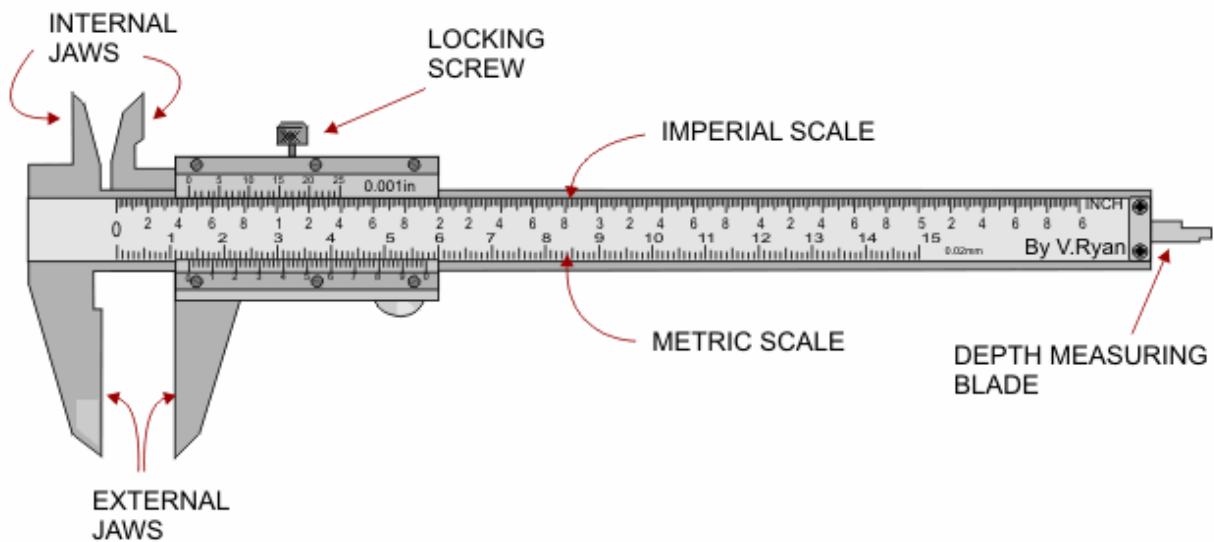
Dot punch is used to lightly indent along the layout lines, to locate center of holes and to provide a small center mark for divider point, etc. for this purpose, the punch is ground to a conical point having 60° included angle.

Center punch is similar to the dot punch, except that it is ground to a conical point having 90° included angle. It is used to mark the location of the holes to be drilled.



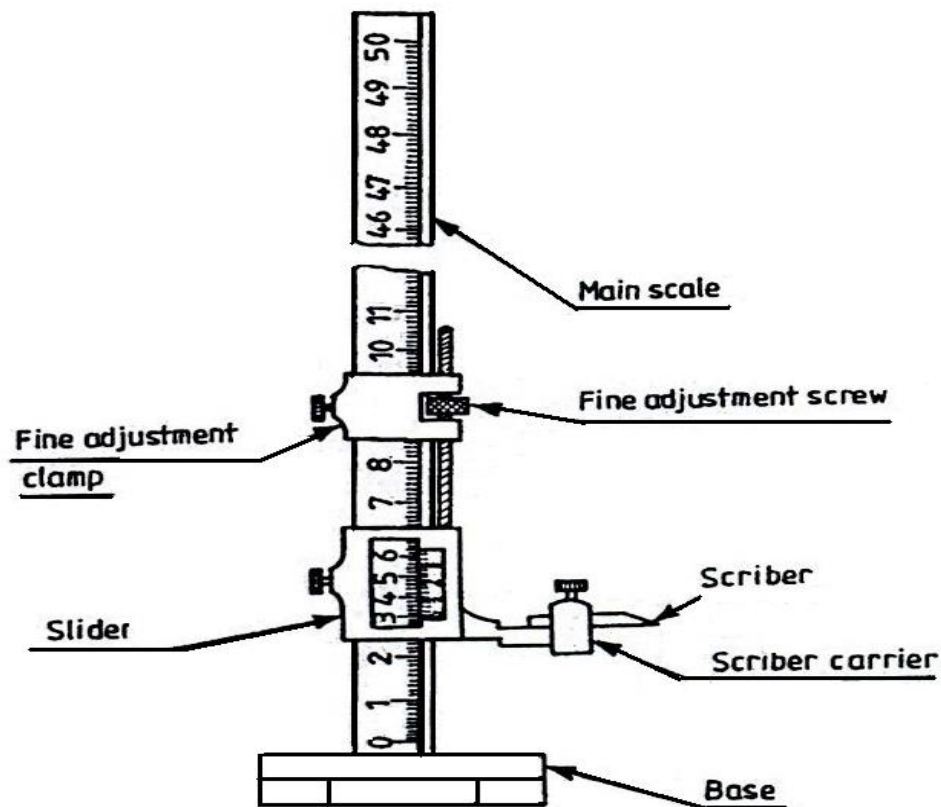
5 Vernier Calipers

These are used for measuring outside as well as inside dimensions accurately. It may also be used as a depth gauge. It has two jaws. One jaw is formed at one end of its main scale and the other jaw is made part of a vernier scale.



6 Vernier Height Gauge

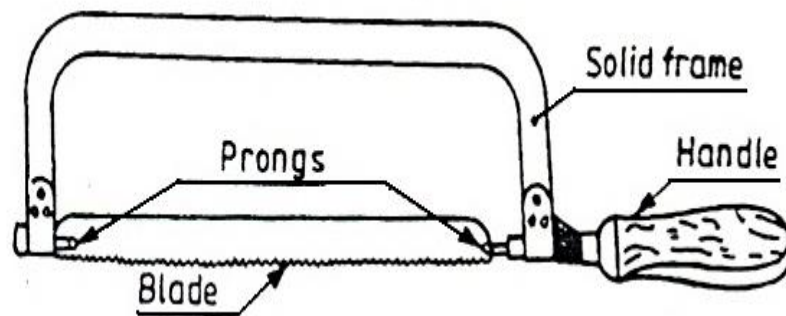
The Vernier Height gauge clamped with a scriber. It is used for Lay out work and offset scriber is used when it is required to take measurement from the surface, on which the gauge is standing. The accuracy and working principle of this gauge are the same as those of the vernier calipers. Its size is specified by the maximum height that can be measured by it. It is made of Nickel-Chromium Steel.



CUTTING TOOLS

1 Hack Saw

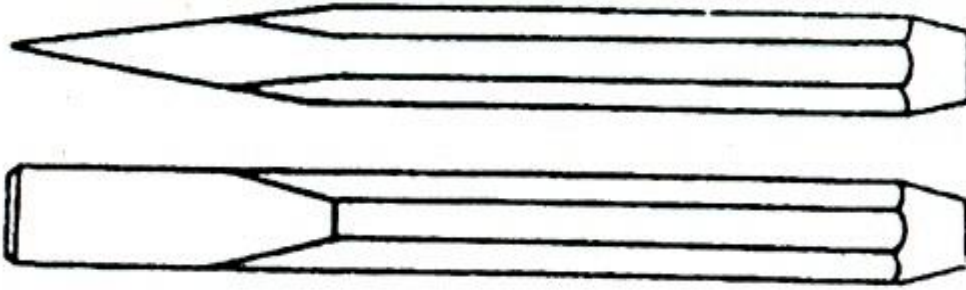
The Hack Saw is used for cutting metal by hand. It consists of a frame, which holds a thin blade, firmly in position. Hacksaw blade is specified by the number of teeth for centimeter. Hacksaw blades have a number of teeth ranging from 5 to 15 per centimeter (cm). Blades having lesser number of teeth per cm are used for cutting soft materials like aluminum, brass and bronze. Blades having larger number of teeth per centimeter are used for cutting hard materials like steel and cast Iron. Hacksaw blades are classified as (i) All hard and (ii) flexible type. The all hard blades are made of H.S.S, hardened and tempered throughout to retain their cutting edges longer. These are used to cut hard metals. These blades are hard and brittle and can break easily by twisting and forcing them into the work while sawing. Flexible blades are made of H.S.S or low alloy steel but only the teeth are hardened and the rest of the blade is soft and flexible. These are suitable for use by un-skilled or semi-skilled persons. The teeth of the hacksaw blade are staggered, as shown in figure and known as a 'set of teeth'. These make slots wider than the blade thickness, preventing the blade from jamming



Hack Saw

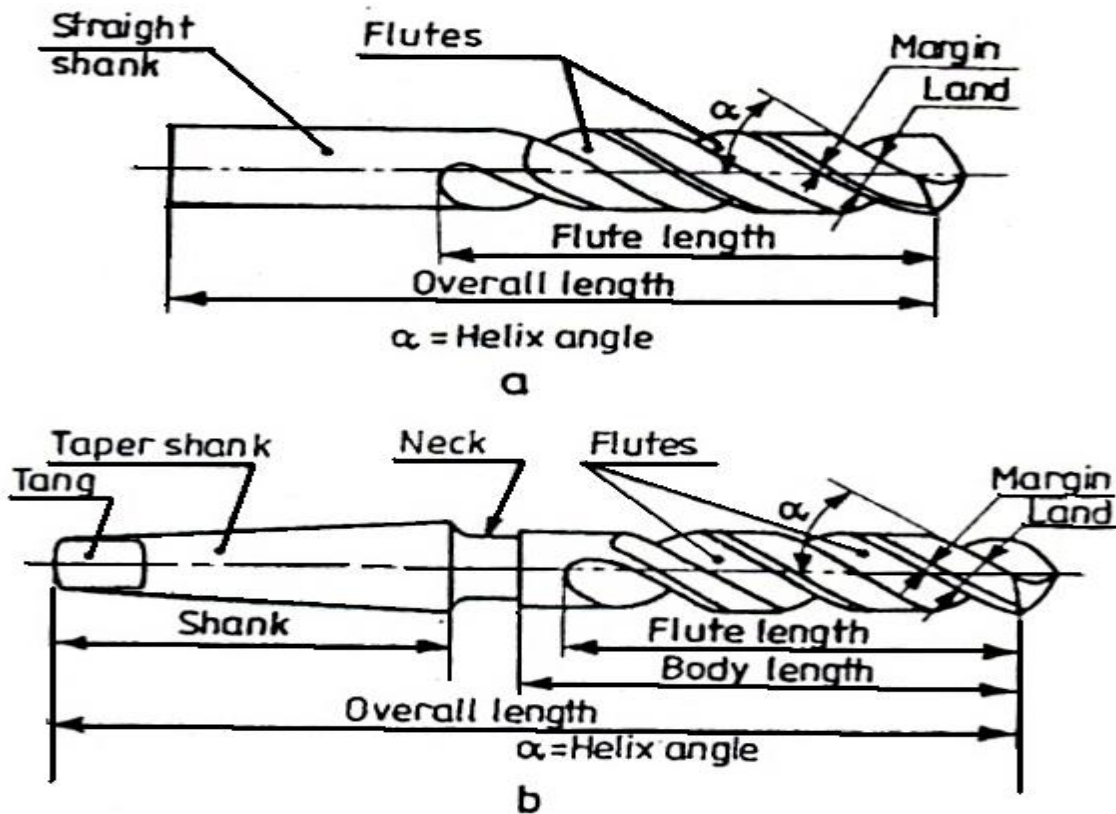
1 Chisels

Chisels are used for removing surplus metal or for cutting thin sheets. These tools are made from 0.9% to 1.0% carbon steel of octagonal or hexagonal section. Chisels are annealed, hardened and tempered to produce a tough shank and hard cutting edge. Annealing relieves the internal stresses in a metal. The cutting angle of the chisel for general purpose is about 60°.



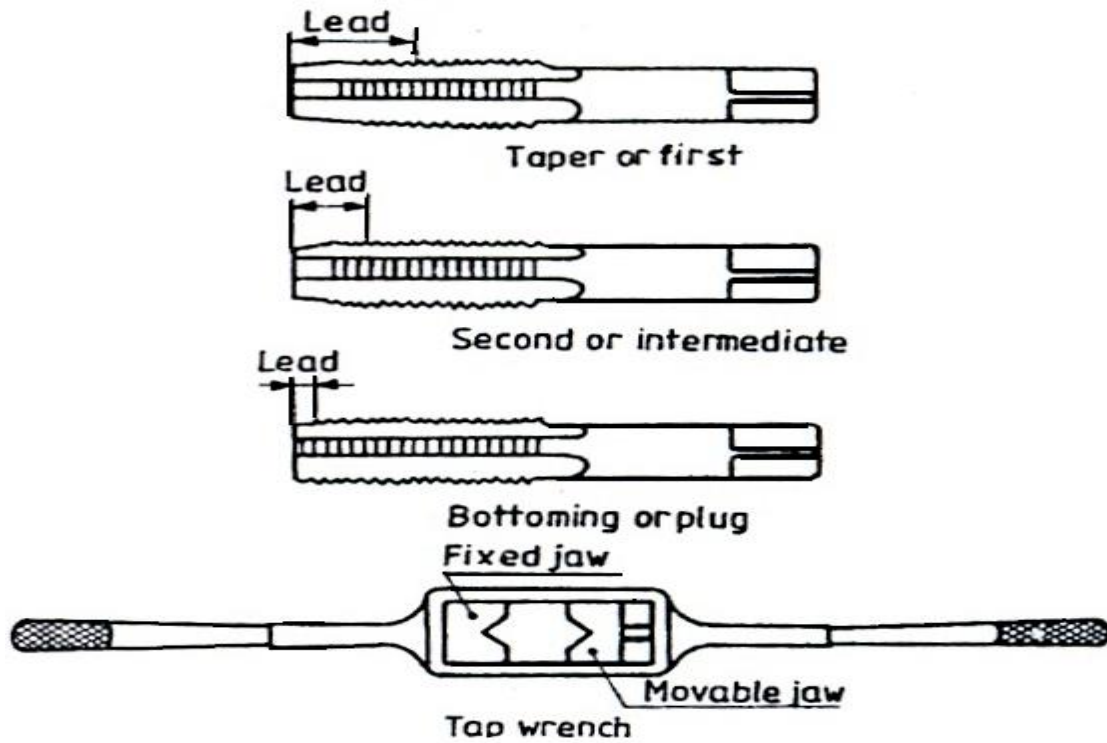
1 Twist Drill

Twist drills are used for making holes. These are made of High speed steel. Both straight and taper shank twist drills are used. The parallel shank twist drill can be held in an ordinary self – centering drill check. The taper shank twist drill fits into a corresponding tapered bore provided in the drilling machine spindle.



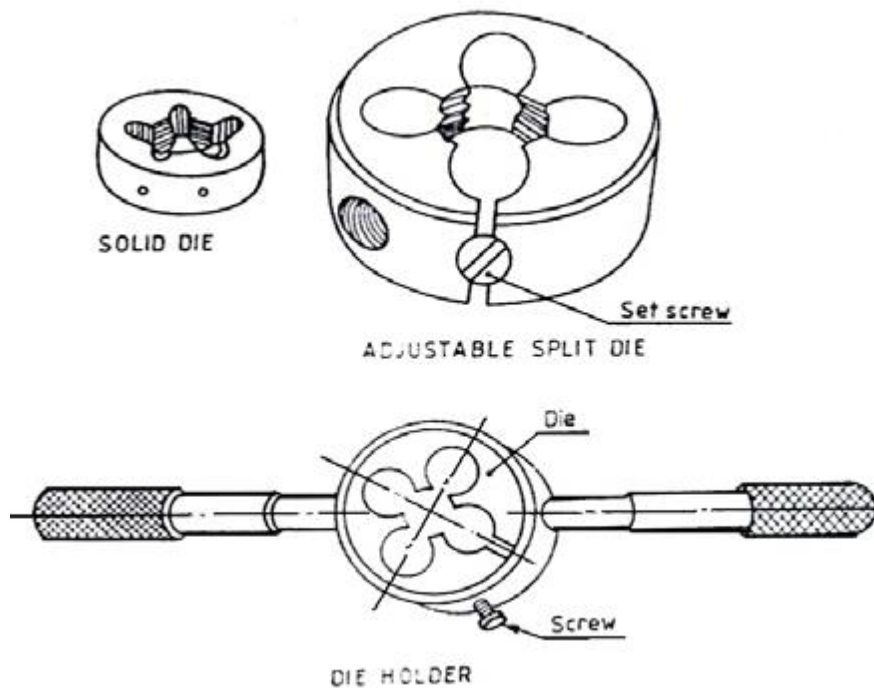
1 Taps and Tap wrenches

A tap is a hardened and steel tool, used for cutting internal thread in a drill hole. Hand Taps are usually supplied in sets of three in each diameter and thread size. Each set consists of a taper tap, intermediate tap and plug or bottoming tap. Taps are made of high carbon steel or high speed steel



1 Dies and die-holders

Dies are the cutting tools used for making external thread. Dies are made either solid or split type. They are fixed in a die stock for holding and adjusting the die gap. They are made of Steel or High Carbon Steel

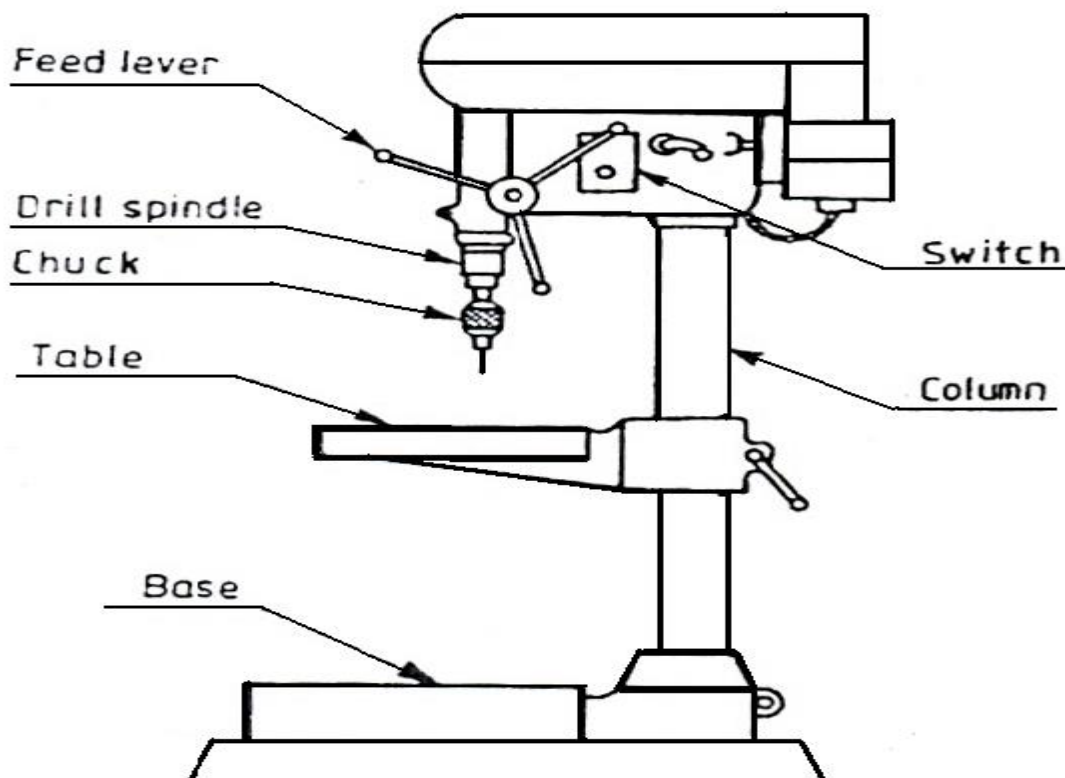


1 Bench Drilling Machine

Holes are drilled for fastening parts with rivets, bolts or for producing internal thread. Bench drilling machine is the most versatile machine used in a fitting shop for the purpose. Twist drills, made of tool steel or high speed steel are used with the drilling machine for drilling holes.

Following are the stages in drilling work

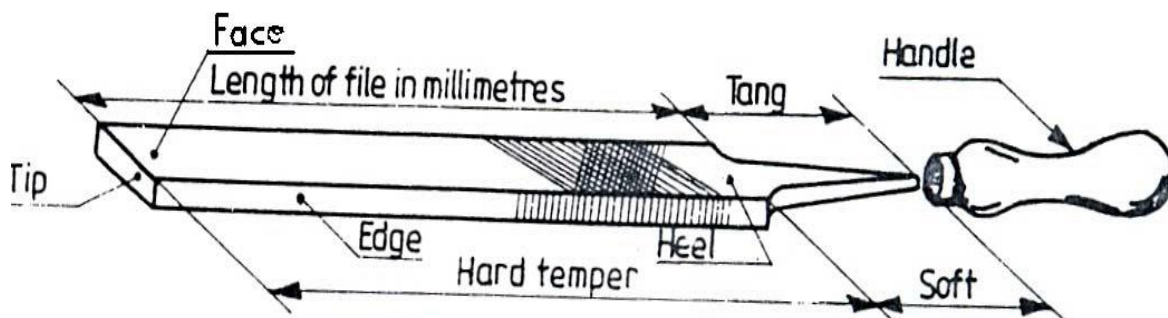
1. Select the correct size drills, put it into the chuck and lock it firmly
2. Adjust the speed of the machine to suit the work by changing the belt on the pulleys. Use high speed for small drills and soft materials and low speed for large diameter drills and hard materials.
3. Layout of the location of the hole and mark it with a center punch.
4. Hold the work firmly in the vice on the machine table and clamp it directly on to the machine table.
5. Put on the power, locate the punch mark and apply slight pressure with the Feed Handle.
6. Once Drilling is commenced at the correct location, apply enough pressure and continue drilling. When drilling steel apply cutting oil at the drilling point.
7. Release the pressure slightly, when the drill point pierces the lower surface of the metal. This prevents the drill catching and damaging the work or drill.
8. On completion of drilling retrace the drill out of the work and put-off the power supply.



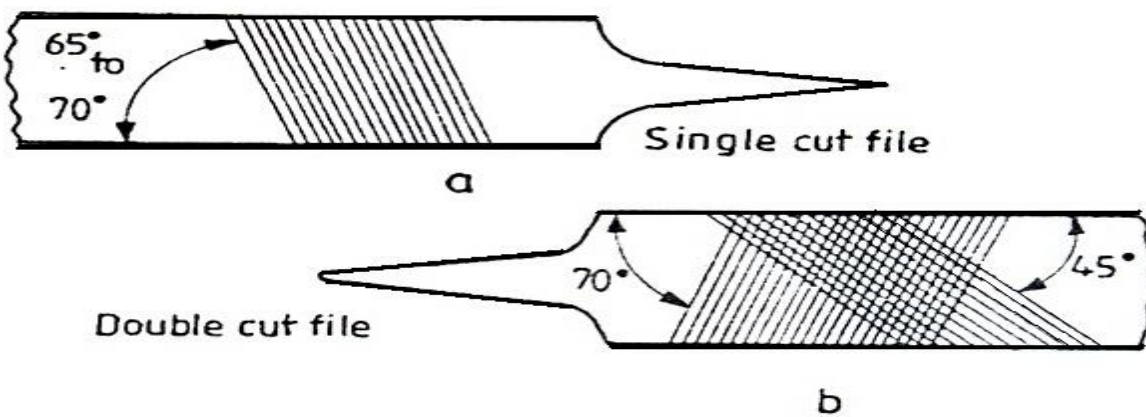
FINISHING TOOLS

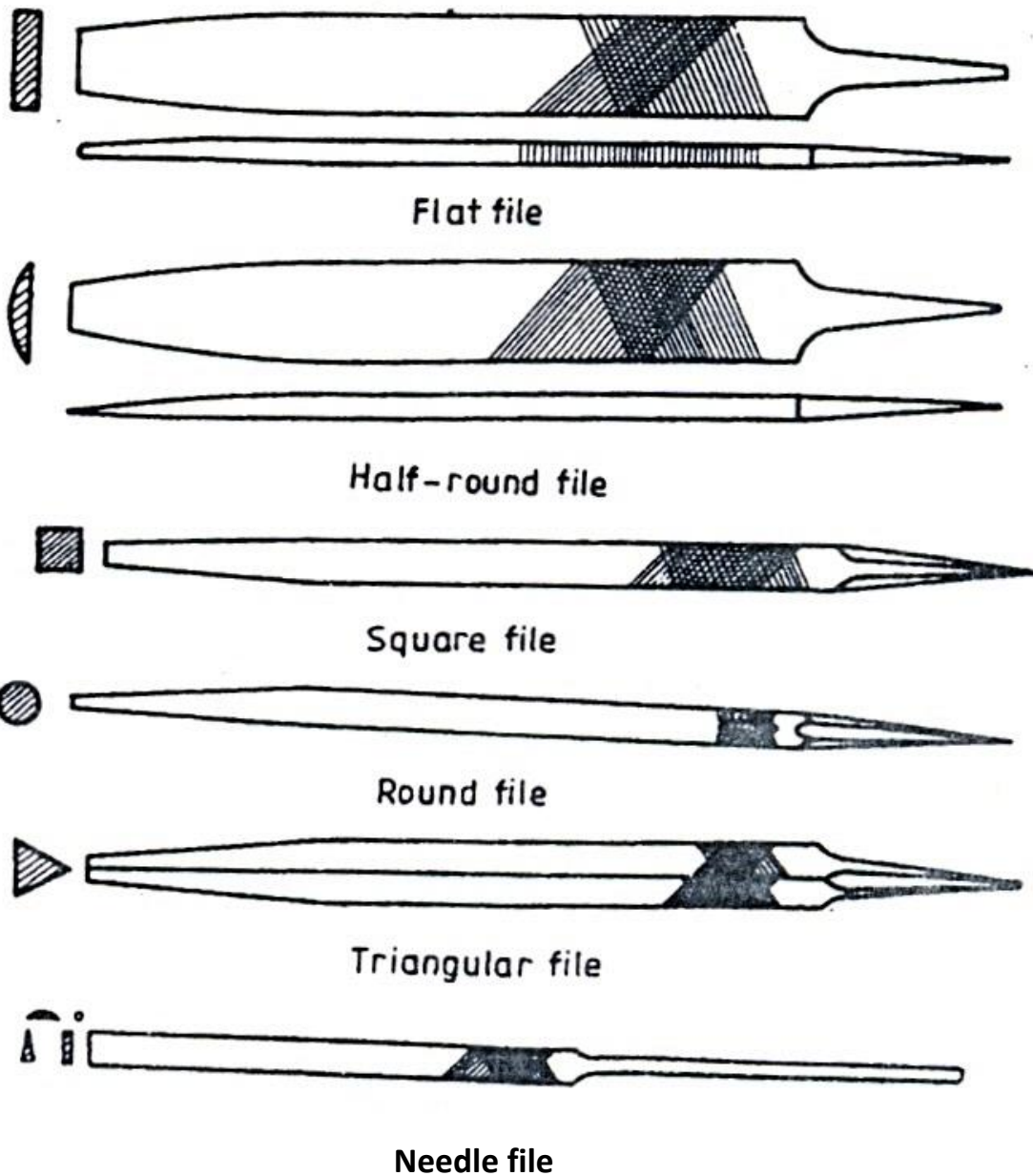
1 Files

Filing is one of the methods of removing small amounts of material from the surface of a metal part. A file is hardened steel too, having small parallel rows of cutting edges or teeth on its surfaces. On the faces, the teeth are usually diagonal to the edge. One end of the file is shaped to fit into a wooden handle. The figure shows various parts of a hand file. The hand file is parallel in width and tapering slightly in thickness, towards the tip. It is provided with double cut teeth. On the faces, single cut on one edge and no teeth on the other edge, which is known as a safe edge. Files are classified according to their shape, cutting teeth and pitch or grade of the teeth. The figure shows the various types of files based on their shape.



Files are classified according to their shape, cutting teeth and pitch or grade of the teeth. The figure shows the various types of files based on their shape.

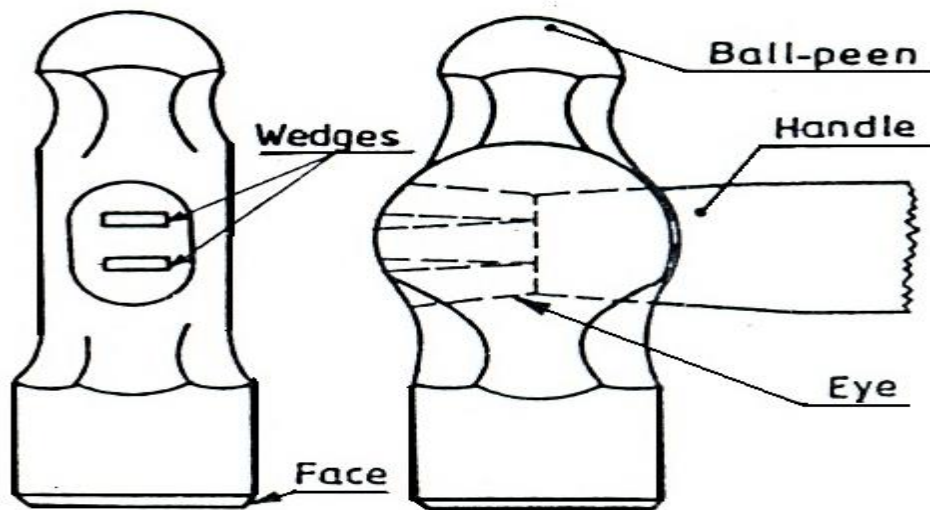




Hammer

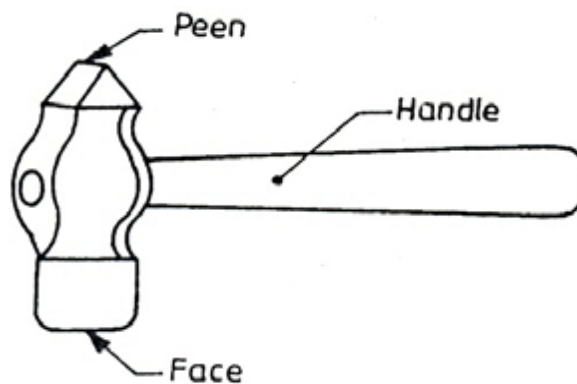
1 Ball- Peen Hammer

Ball- Peen Hammers are named, depending upon their shape and material and specified by their weight. A ball peen hammer has a flat face which is used for general work and a ball end, particularly used for riveting.



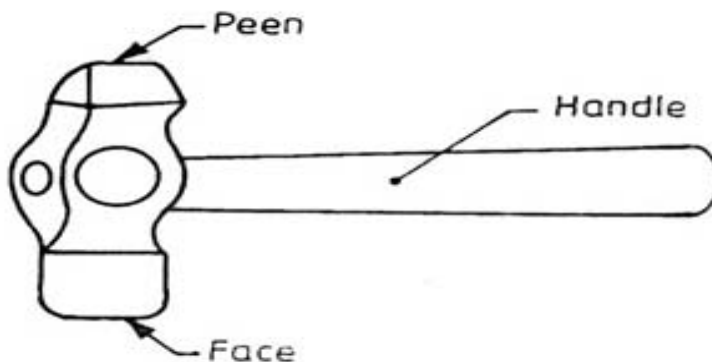
1 Cross-Peen Hammer

It is similar to ball peen hammer, except the shape of the peen. This is used for chipping, riveting, bending and stretching metals and hammering inside the curves and shoulders.



3 Straight-Peen Hammer

This is similar to cross peen hammer, but its peen is in-line with the hammer handle. It is used for swaging, riveting in restricted places and stretching metals.



SAFE PRACTICE

The following are some of the safe and correct work practices in bench work and fitting shop, with respect to the tools used

1. Keep hands and tools wiped clean and free of dirt, oil and grease. Dry tools are safer to use than slippery tools.
2. Do not carry sharp tools on pockets.
3. Wear leather shoes and not sandals.
4. Don't wear loose clothes.
5. Do not keep working tools at the edge of the table.
6. Position the work piece such that the cut to be made is close to the vice. This practice prevents springing, saw breakage and personal injury.
7. Apply force only on the forward (cutting) stroke and relieve the force on the return stroke while sawing and filing.
8. Do not hold the work piece in hand while cutting.
9. Use the file with a properly fitted tight handle.
10. After filing, remove the burrs from the edges of the work, to prevent cuts to the fingers.
11. Do not use vice as an anvil.
12. While sawing, keep the blade straight; otherwise it will break
13. Do not use a file without handle.
14. Clean the vice after use.